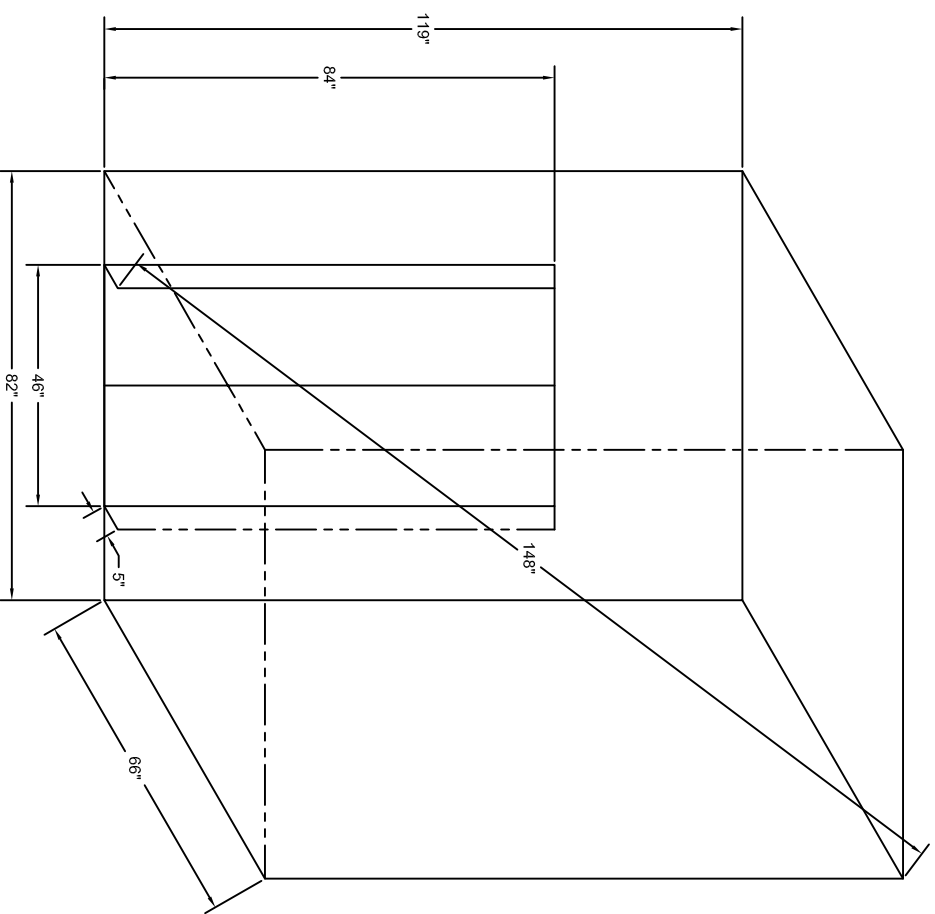


ELEVATOR #5
LOW RISE FREIGHT 1 - 16
CAPACITY: 3,000 LBS MAX.



ELEVATOR #6
HIGH RISE FREIGHT 16 - 25
CAPACITY: 3,500 LBS MAX.